



S. K. INDUSTRIES

CASTORS & WHEELS





About Ourselves

We are one of the Leading Indian Precision manufacturers of Castors & Wheels for over 30 years. We excel in providing custom solutions for your unique needs. Our products are used by Global Industrial Leaders in Material Handling and Automotive Sectors.

Our Product Line Includes

- Mild Steel Fabricated Brackets with Cast Iron Polyurethane Bonded (CIPU) Wheels.
- Mild Steel Fabricated Brackets with Aluminium Casting Polyurethane Bonded Wheels.
- Mild Steel Fabricated Brackets with Solid Nylon Wheels.
- Mild Steel Fabricated Extra Heavy Duty Spring Loaded Brackets with Polyurethane Bonded Wheels & Rubber Tyres.
- Pressed Steel Brackets with Cast Iron Polyurethane Bonded (CIPU) Wheels & Nylon Wheels

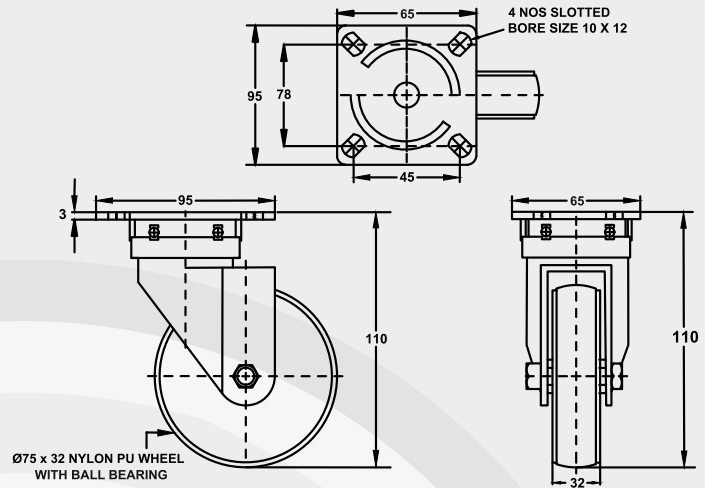
The Products Manufactured by us are backed by highly trained & experienced Technicians. Our Products are built to high standards of workmanship & design to maintain high quality at subsidized rates. We offer prompt pre-sales and after sales service backed by consistent quality and ontime deliveries.

Our consistent quality & performance over the years is recognized by our growing list of satisfied customers all over India.

We trust the given details in this Literature will enlighten you further on the outstanding properties of our products & its wide range of applications.

Applications

- Automobile Industry
- Amusement Parks
- Chemical Industry
- Cold Storage
- Engineering Industry
- Food Industry
- Glass Industry
- Hotels & Restaurants
- Material Handling Equipments
- Pharmaceutical Industry
- Steel & Mining Industry
- Textile Industry

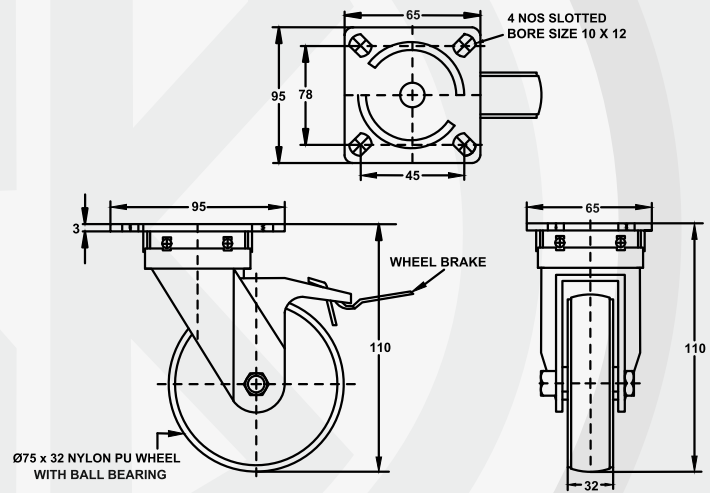
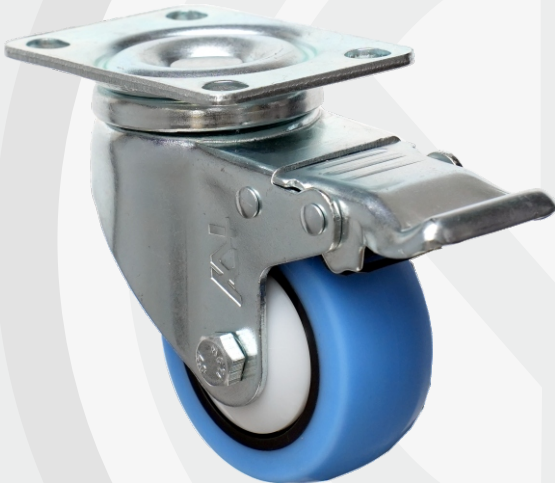


Ø75 X 32 MM NYLON PU WHEEL WITH PRESSED STEEL SWIVEL BRACKET

TOP PLATE SIZE : 95 X 65 X 03 THICK

HOLE CENTRE SIZE : 78 X 45 X Ø 10x12 BORE

LOAD CARRYING CAPACITY : 50 - 75 KG

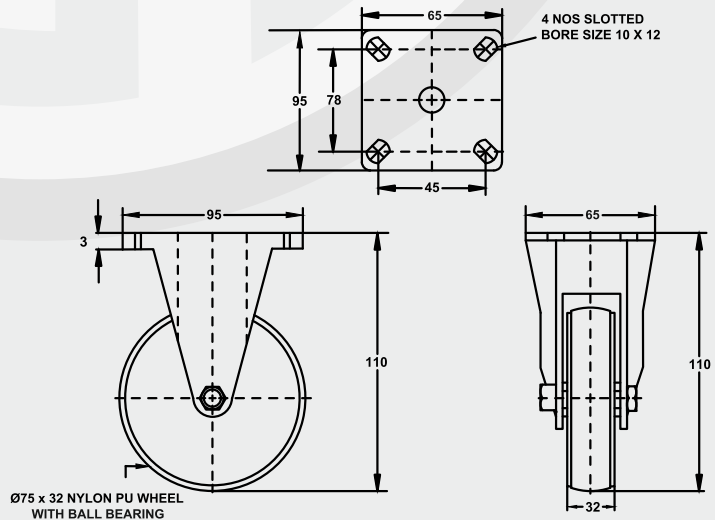


Ø75 X 32 MM NYLON PU WHEEL WITH PRESSED STEEL SWIVEL BRACKET & BRAKE

TOP PLATE SIZE : 95 X 65 X 03 THICK

HOLE CENTRE SIZE : 78 X 45 X Ø 10x12 BORE

LOAD CARRYING CAPACITY : 50 - 75 KG

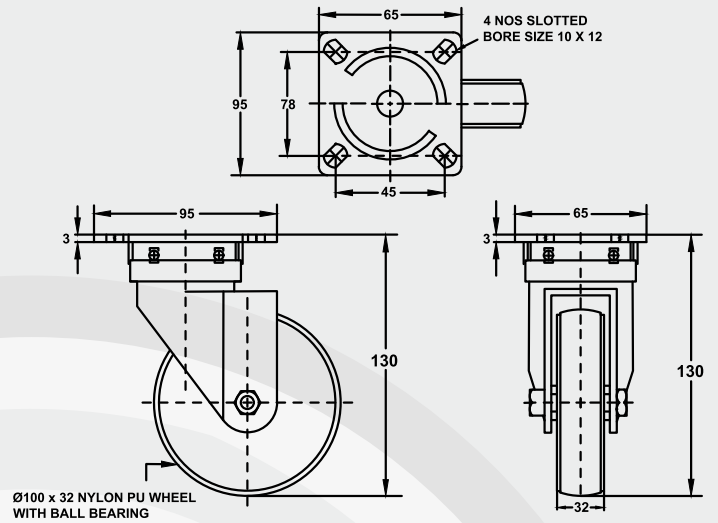


Ø75 X 32 MM NYLON PU WHEEL WITH PRESSED STEEL FIXED BRACKET

TOP PLATE SIZE : 95 X 65 X 03 THICK

HOLE CENTRE SIZE : 78 X 45 X Ø 10x12 BORE

LOAD CARRYING CAPACITY : 50 - 75 KG

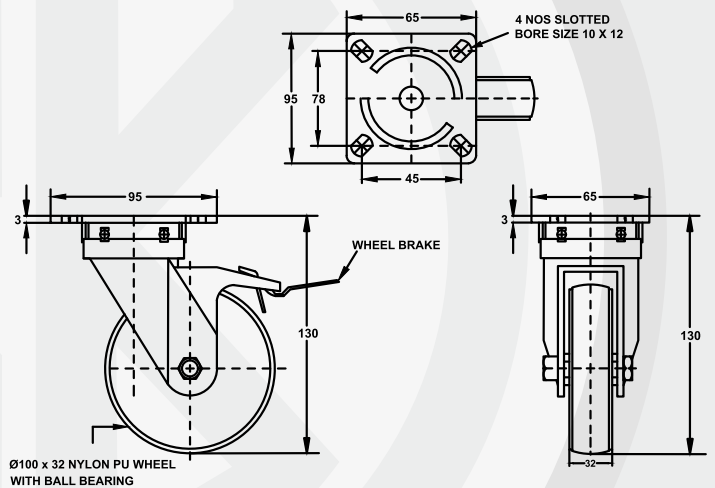


Ø100 X 32 MM NYLON PU WHEEL WITH PRESSED STEEL SWIVEL BRACKET

TOP PLATE SIZE : 95 X 65 X 03 THICK

HOLE CENTRE SIZE : 78 X 45 X Ø 10x12 BORE

LOAD CARRYING CAPACITY : 75 - 100 KG

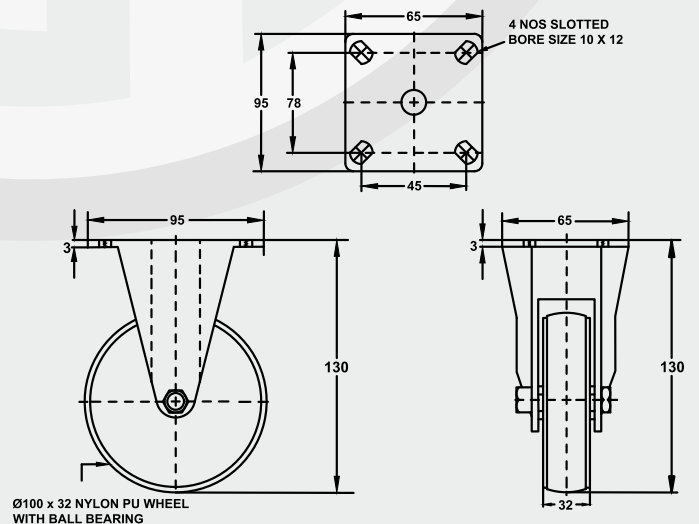


Ø100 X 32 MM NYLON PU WHEEL WITH PRESSED STEEL SWIVEL BRACKET & BRAKE

TOP PLATE SIZE : 95 X 65 X 03 THICK

HOLE CENTRE SIZE : 78 X 45 X Ø 10x12 BORE

LOAD CARRYING CAPACITY : 75 - 100 KG

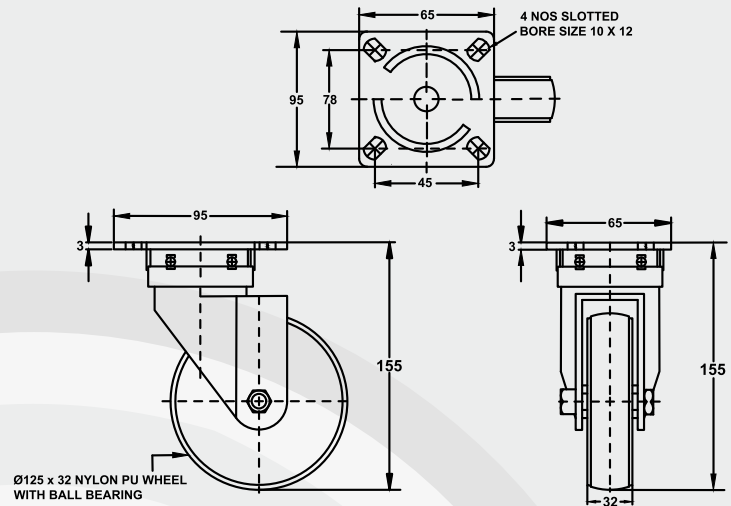


Ø100 X 32 MM NYLON PU WHEEL WITH PRESSED STEEL FIXED BRACKET

TOP PLATE SIZE : 95 X 65 X 03 THICK

HOLE CENTRE SIZE : 78 X 45 X Ø 10x12 BORE

LOAD CARRYING CAPACITY : 75 - 100 KG

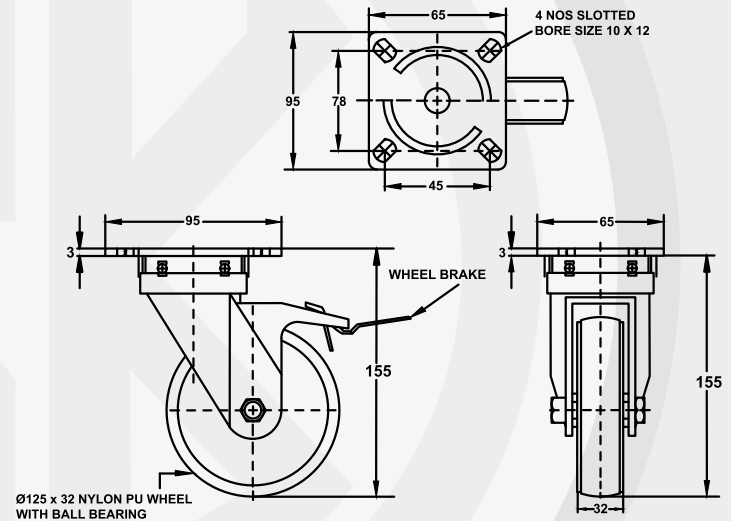


Ø125 X 32 MM NYLON PU WHEEL WITH PRESSED STEEL SWIVEL BRACKET

TOP PLATE SIZE : 95 X 65 X 03 THICK

HOLE CENTRE SIZE : 78 X 45 X Ø (10x12) BORE

LOAD CARRYING CAPACITY : 100 KG

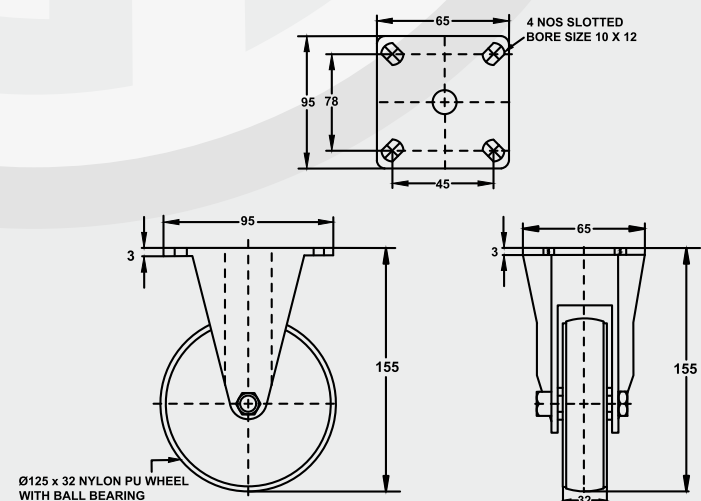


Ø125 X 32 MM NYLON PU WHEEL WITH PRESSED STEEL SWIVEL BRACKET & BRAKE

TOP PLATE SIZE : 95 X 65 X 03 THICK

HOLE CENTRE SIZE : 78 X 45 X Ø (10x12) BORE

LOAD CARRYING CAPACITY : 100 KG

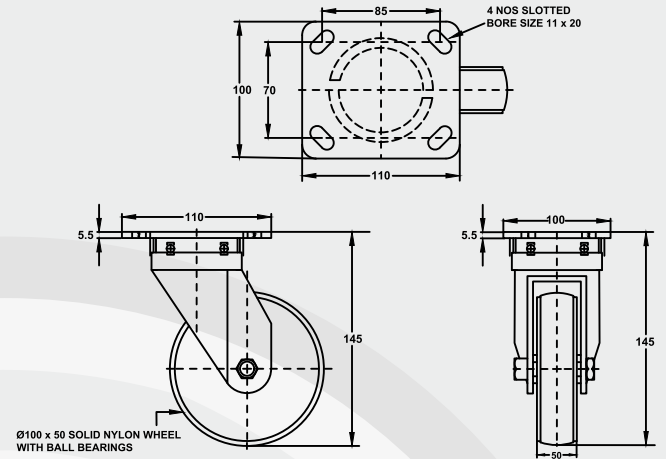


Ø125 X 32 MM NYLON PU WHEEL WITH PRESSED STEEL FIXED BRACKET

TOP PLATE SIZE : 95 X 65 X 03 THICK

HOLE CENTRE SIZE : 78 X 45 X Ø (10x12) BORE

LOAD CARRYING CAPACITY : 100 KG

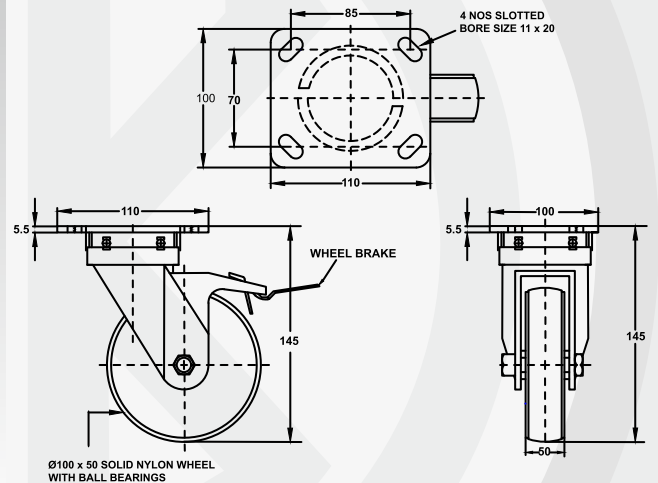


Ø100 X 50 MM SOLID NYLON WHEEL WITH PRESSED STEEL SWIVEL BRACKET

TOP PLATE SIZE : 110 X 100 X 5.5 THICK

HOLE CENTRE SIZE : 85 X 70 X (11 X 20) BORE

LOAD CARRYING CAPACITY : 100 - 150 KG

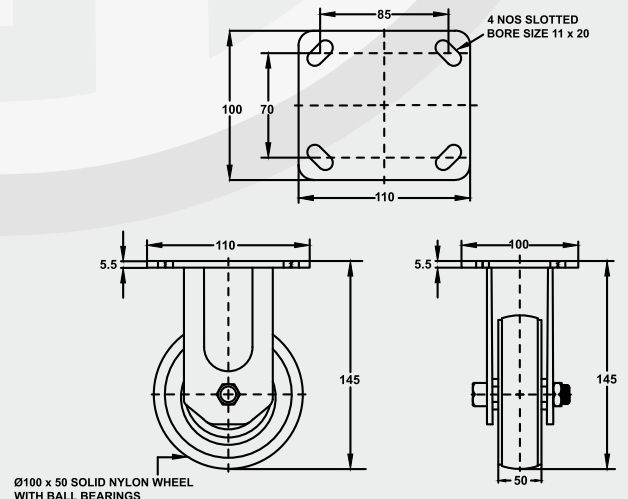


Ø100 X 50 MM SOLID NYLON WHEEL WITH PRESSED STEEL SWIVEL BRACKET & BRAKE

TOP PLATE SIZE : 110 X 100 X 5.5 THICK

HOLE CENTRE SIZE : 85 X 70 X (11 X 20) BORE

LOAD CARRYING CAPACITY : 100 - 150 KG

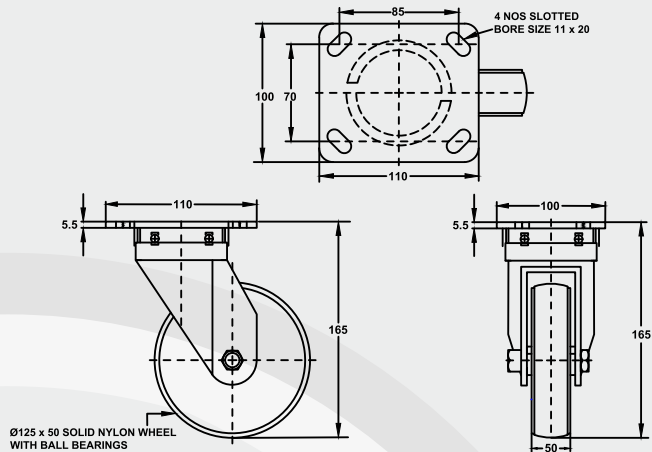


Ø100 X 50 MM SOLID NYLON WHEEL WITH PRESSED STEEL FIXED BRACKET

TOP PLATE SIZE : 110 X 100 X 5.5 THICK

HOLE CENTRE SIZE : 85 X 70 X (11 X 20) BORE

LOAD CARRYING CAPACITY : 100 - 150 KG

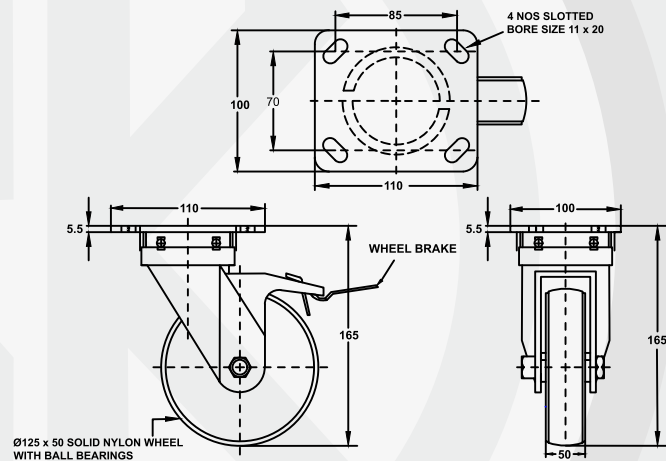


Ø125 X 50 MM SOLID NYLON WHEEL WITH PRESSED STEEL SWIVEL BRACKET

TOP PLATE SIZE : 110 X 100 X 5.5 THICK

HOLE CENTRE SIZE : 85 X 70 X (11X20) BORE

LOAD CARRYING CAPACITY : 150 - 200 KG

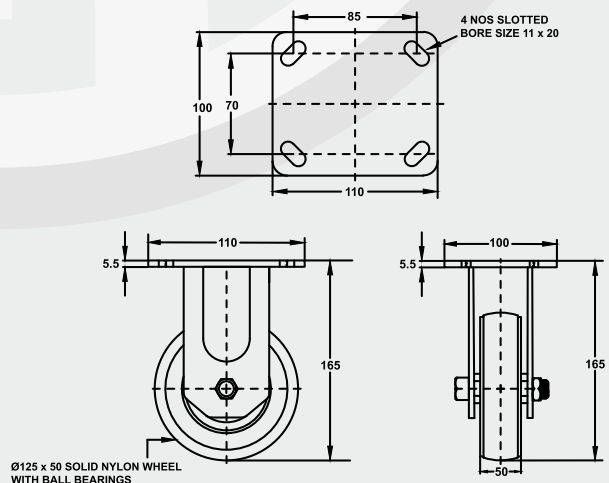


Ø125 X 50 MM SOLID NYLON WHEEL WITH PRESSED STEEL SWIVEL BRACKET & BRAKE

TOP PLATE SIZE : 110 X 100 X 5.5 THICK

HOLE CENTRE SIZE : 85 X 70 X (11X20) BORE

LOAD CARRYING CAPACITY : 150 - 200 KG

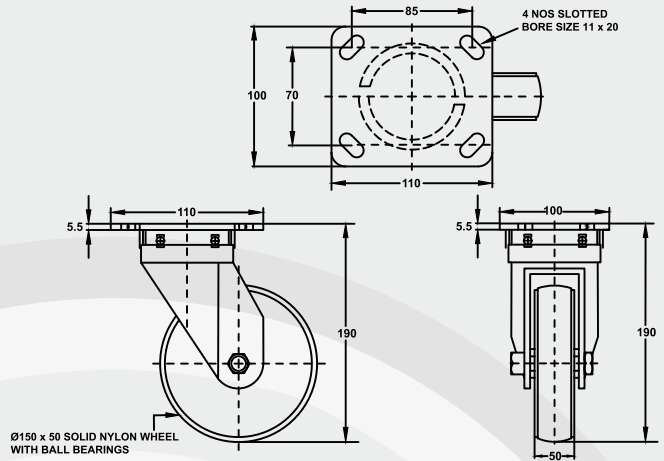


Ø125 X 50 MM SOLID NYLON WHEEL WITH PRESSED STEEL FIXED BRACKET

TOP PLATE SIZE : 110 X 100 X 5.5 THICK

HOLE CENTRE SIZE : 85 X 70 X (11X20) BORE

LOAD CARRYING CAPACITY : 150 - 200 KG

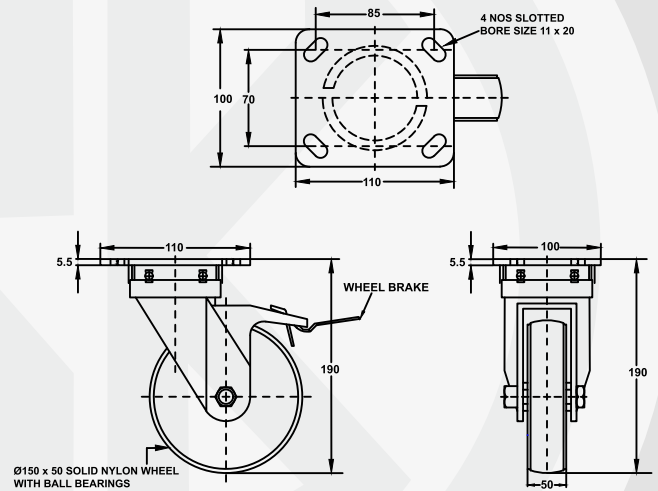


Ø150 X 50 MM SOLID NYLON WHEEL WITH PRESSED STEEL SWIVEL BRACKET

TOP PLATE SIZE : 110 X 100 X 5.5 THICK

HOLE CENTRE SIZE : 85 X 70 X (11X20) BORE

LOAD CARRYING CAPACITY : 200 - 250 KG

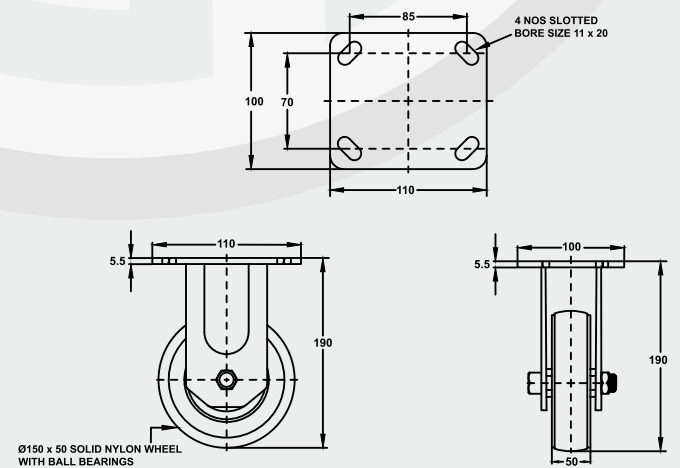


Ø150 X 50 MM SOLID NYLON WHEEL WITH PRESSED STEEL SWIVEL BRACKET & BRAKE

TOP PLATE SIZE : 110 X 100 X 5.5 THICK

HOLE CENTRE SIZE : 85 X 70 X (11X20) BORE

LOAD CARRYING CAPACITY : 200 - 250 KG

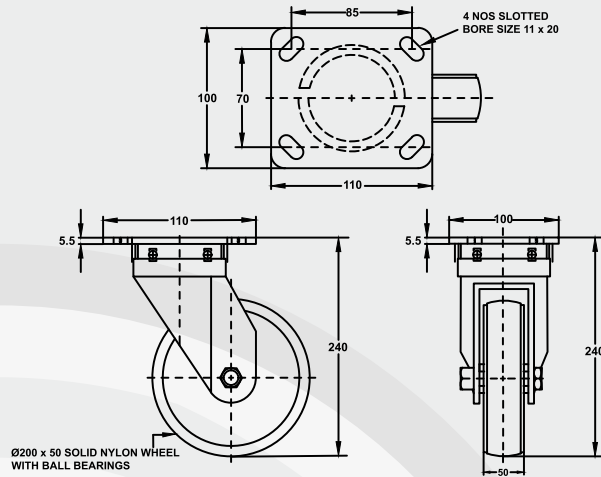


Ø150 X 50 MM SOLID NYLON WHEEL WITH PRESSED STEEL FIXED BRACKET

TOP PLATE SIZE : 110 X 100 X 5.5 THICK

HOLE CENTRE SIZE : 85 X 70 X (11X20) BORE

LOAD CARRYING CAPACITY : 200 - 250 KG

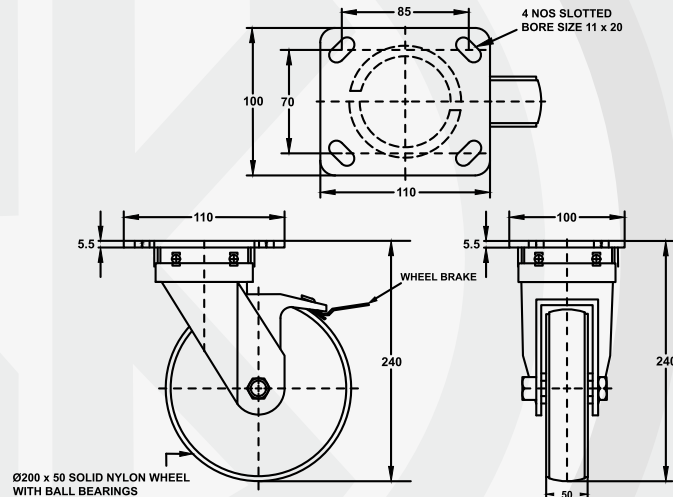


Ø200 X 50 MM SOLID NYLON WHEEL WITH PRESSED STEEL SWIVEL BRACKET

TOP PLATE SIZE : 110 X 100 X 5.5 THICK

HOLE CENTRE SIZE : 85 X 70 X (11 x 20) BORE

LOAD CARRYING CAPACITY : 250 - 300 KG

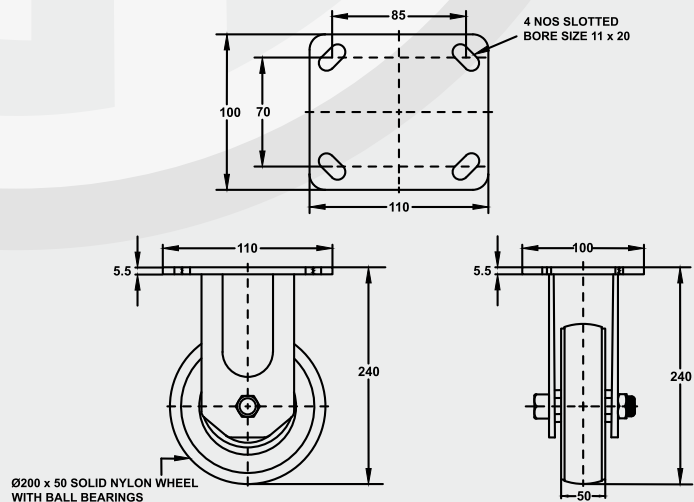


Ø200 X 50 MM SOLID NYLON WHEEL WITH PRESSED STEEL SWIVEL BRACKET & BRAKE

TOP PLATE SIZE : 110 X 100 X 5.5 THICK

HOLE CENTRE SIZE : 85 X 70 X (11 x 20) BORE

LOAD CARRYING CAPACITY : 250 - 300 KG

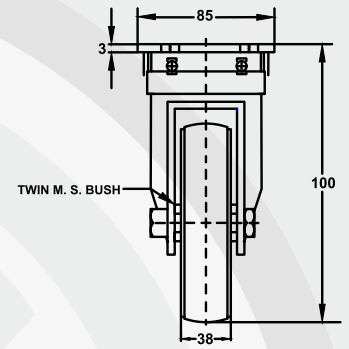
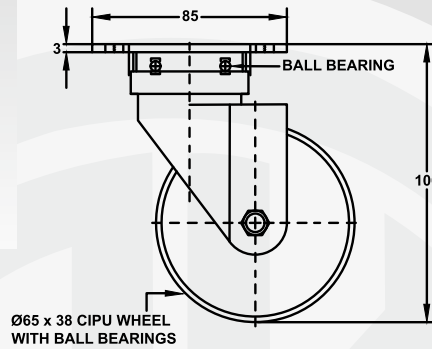
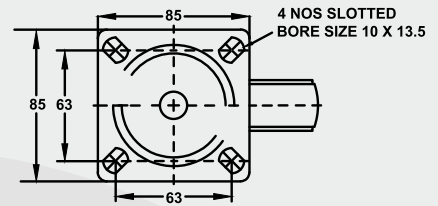


Ø200 X 50 MM SOLID NYLON WHEEL WITH PRESSED STEEL FIXED BRACKET

TOP PLATE SIZE : 110 X 100 X 5.5 THICK

HOLE CENTRE SIZE : 85 X 70 X (11 x 20) BORE

LOAD CARRYING CAPACITY : 250 - 300 KG

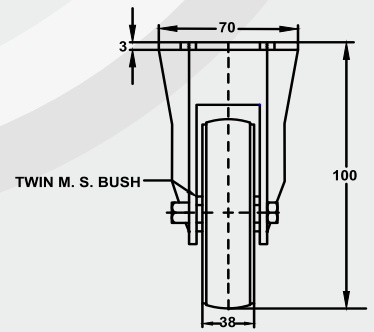
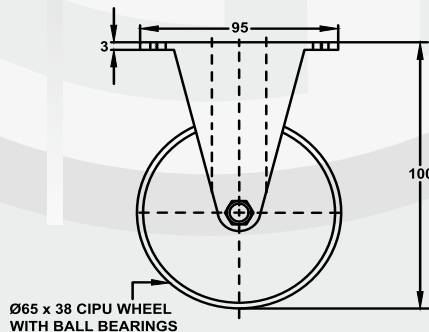
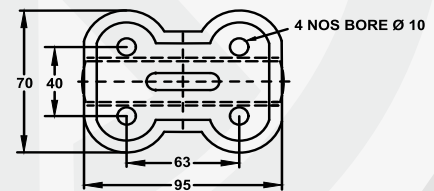


Ø65 X 38 MM CIPU BONDED WHEEL WITH PRESSED STEEL SWIVEL BRACKET

TOP PLATE SIZE : 85 X 85 X 03 THICK

HOLE CENTRE SIZE : 63 X 63 X Ø10 X 13.5 BORE

LOAD CARRYING CAPACITY : 50 - 75 KG

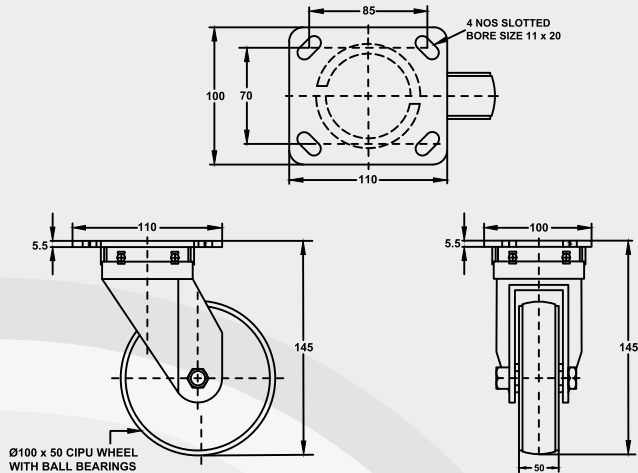
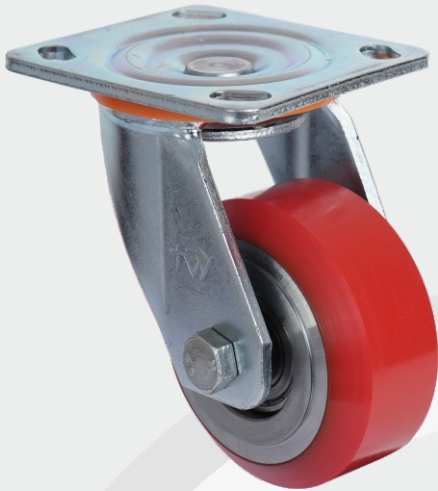


Ø65 X 38 MM CIPU BONDED WHEEL WITH PRESSED STEEL FIXED BRACKET

TOP PLATE SIZE : 95 X 70 X 03 THICK

HOLE CENTRE SIZE : 63 X 40 X Ø10 BORE

LOAD CARRYING CAPACITY : 50 - 75 KG

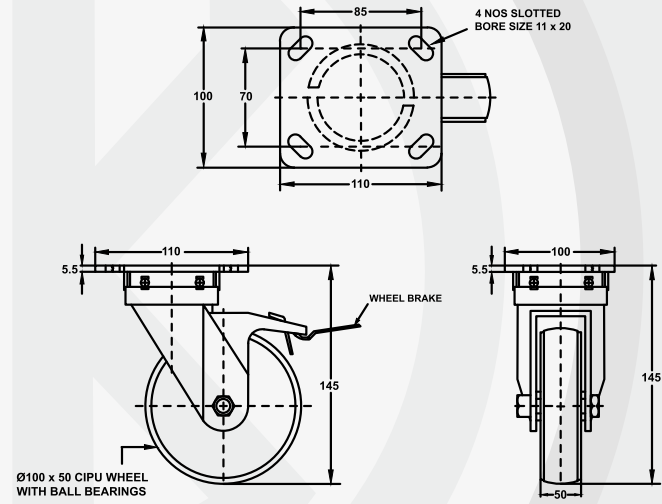
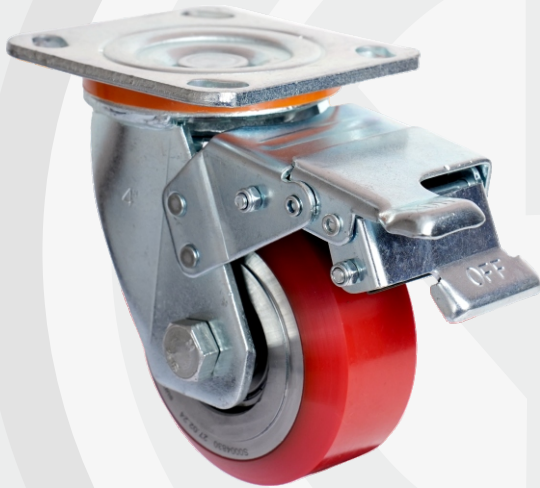


Ø100 X 50 MM CIPU WHEEL WITH PRESSED STEEL SWIVEL BRACKET

TOP PLATE SIZE : 110 X 100 X 5.5 THICK

HOLE CENTRE SIZE : 85 X 70 X (11 X 20) BORE

LOAD CARRYING CAPACITY : 100 - 150 KG

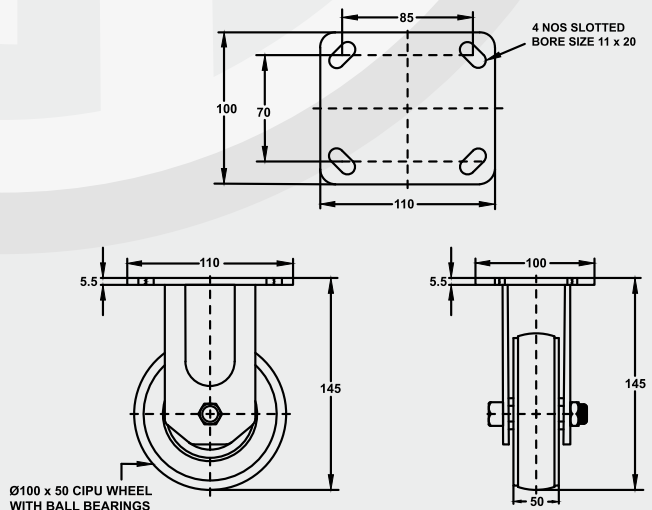
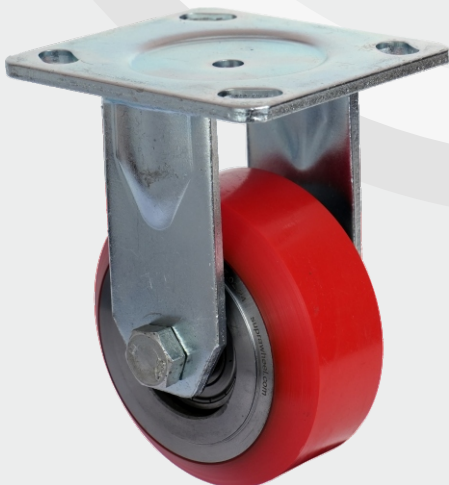


Ø100 X 50 MM CIPU WHEEL WITH PRESSED STEEL SWIVEL BRACKET & BRAKE

TOP PLATE SIZE : 110 X 100 X 5.5 THICK

HOLE CENTRE SIZE : 85 X 70 X (11 X 20) BORE

LOAD CARRYING CAPACITY : 100 - 150 KG

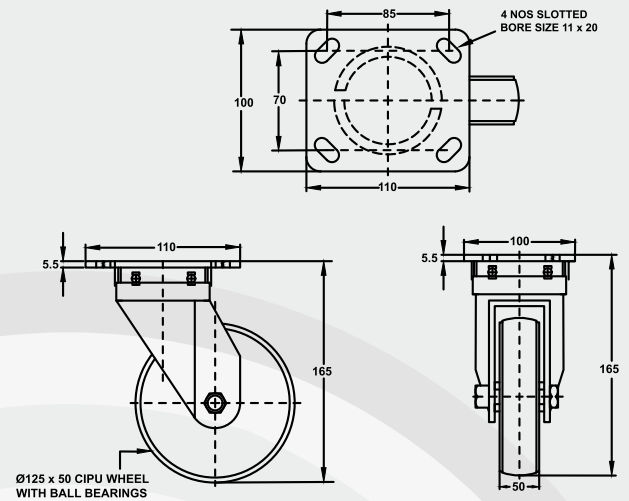


Ø100 X 50 MM CIPU WHEEL WITH PRESSED STEEL FIXED BRACKET

TOP PLATE SIZE : 110 X 100 X 5.5 THICK

HOLE CENTRE SIZE : 85 X 70 X (11 X 20) BORE

LOAD CARRYING CAPACITY : 100 - 150 KG

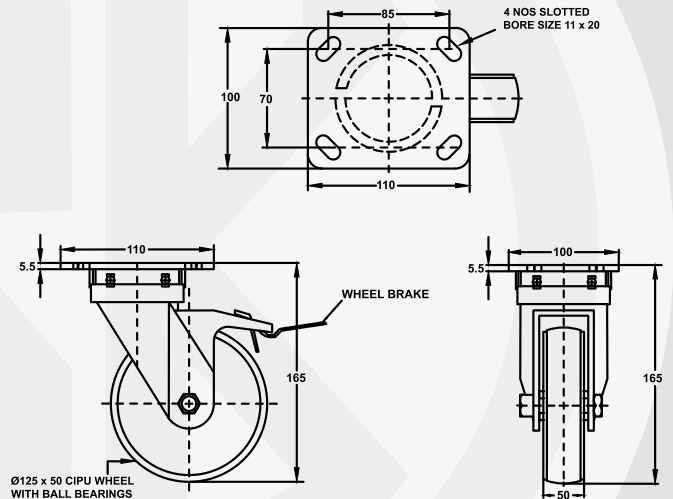


Ø125 X 50 MM CIPU WHEEL WITH PRESSED STEEL SWIVEL BRACKET

TOP PLATE SIZE : 110 X 100 X 5.5 THICK

HOLE CENTRE SIZE : 85 X 70 X (11 X 20) BORE

LOAD CARRYING CAPACITY : 150 - 200 KG

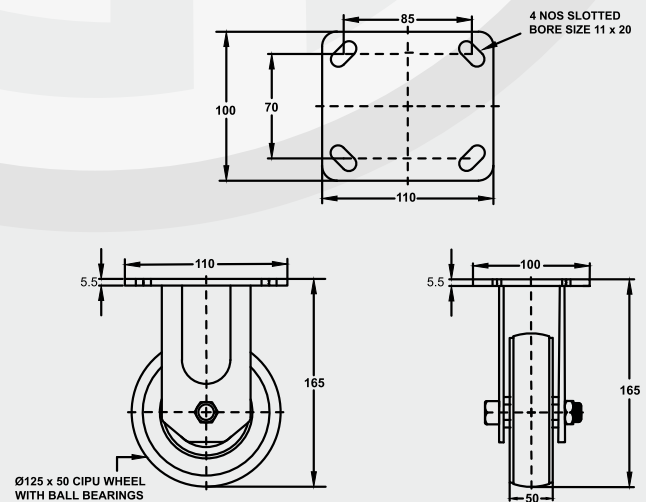
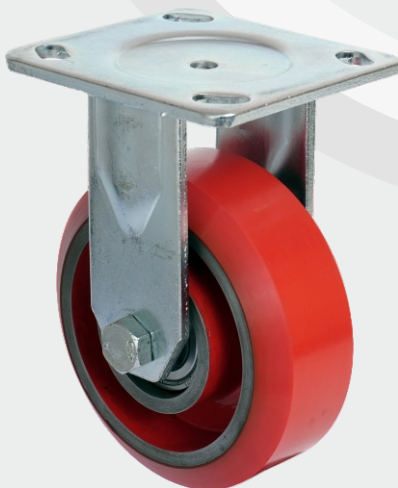


Ø125 X 50 MM CIPU WHEEL WITH PRESSED STEEL SWIVEL BRACKET & BRAKE

TOP PLATE SIZE : 110 X 100 X 5.5 THICK

HOLE CENTRE SIZE : 85 X 70 X (11 X 20) BORE

LOAD CARRYING CAPACITY : 150 - 200 KG

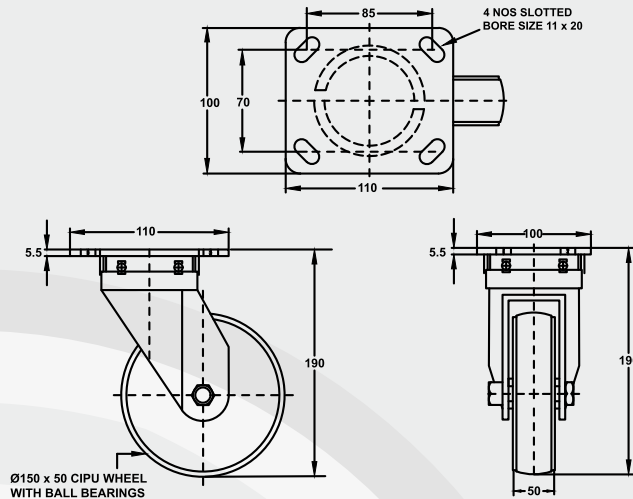


Ø125 X 50 MM CIPU WHEEL WITH PRESSED STEEL FIXED BRACKET

TOP PLATE SIZE : 110 X 100 X 5.5 THICK

HOLE CENTRE SIZE : 85 X 70 X (11 X 20) BORE

LOAD CARRYING CAPACITY : 150 - 200 KG

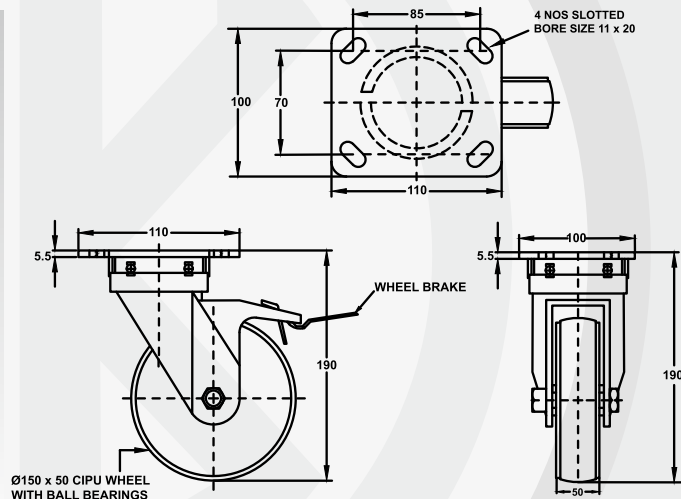


Ø150 X 50 MM CIPU WHEEL WITH PRESSED STEEL SWIVEL BRACKET

TOP PLATE SIZE : 110 X 100 X 5.5 THICK

HOLE CENTRE SIZE : 85 X 70 X (11 X 20) BORE

LOAD CARRYING CAPACITY : 200 - 250 KG

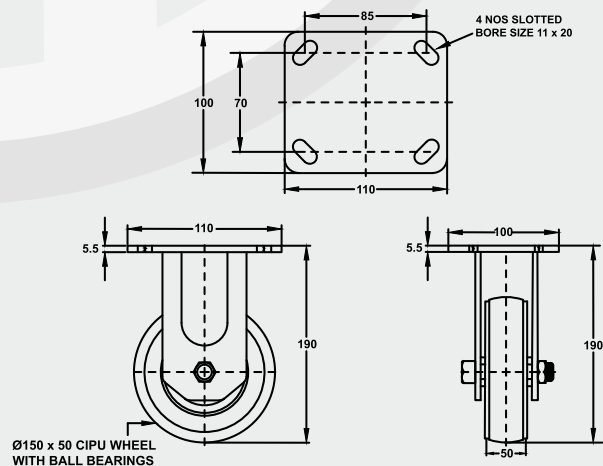


Ø150 X 50 MM CIPU WHEEL WITH PRESSED STEEL SWIVEL BRACKET & BRAKE

TOP PLATE SIZE : 110 X 100 X 5.5 THICK

HOLE CENTRE SIZE : 85 X 70 X (11 X 20) BORE

LOAD CARRYING CAPACITY : 200 - 250 KG

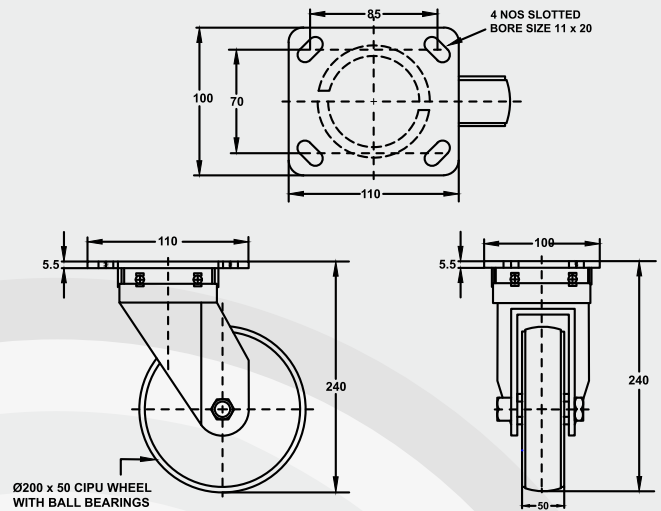


Ø150 X 50 MM CIPU WHEEL WITH PRESSED STEEL FIXED BRACKET

TOP PLATE SIZE : 110 X 100 X 5.5 THICK

HOLE CENTRE SIZE : 85 X 70 X (11 X 20) BORE

LOAD CARRYING CAPACITY : 200 - 250 KG

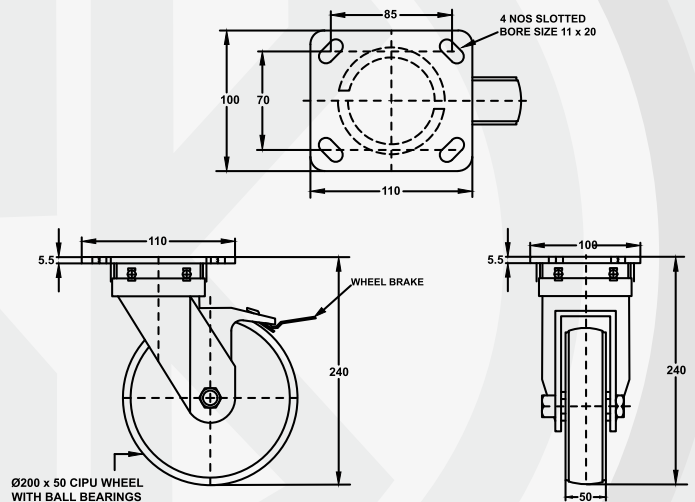


Ø200 X 50 MM CIPU WHEEL WITH PRESSED STEEL SWIVEL BRACKET

TOP PLATE SIZE : 110 X 100 X 5.5 THICK

HOLE CENTRE SIZE : 85 X 70 X (11 X 20) BORE

LOAD CARRYING CAPACITY : 250 - 300 KG

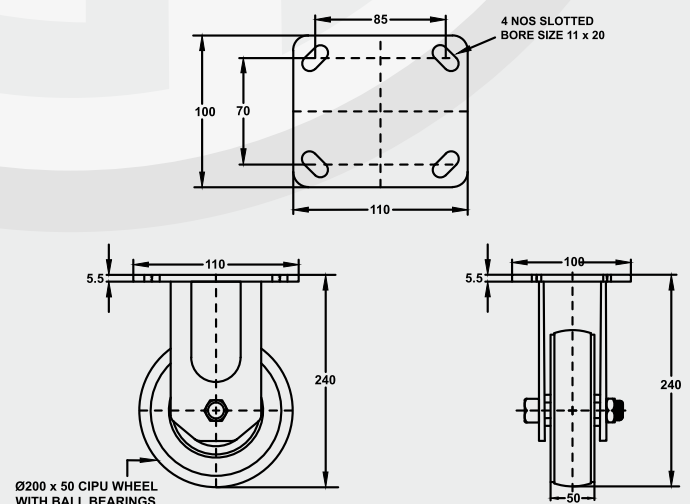


Ø200 X 50 MM CIPU WHEEL WITH PRESSED STEEL SWIVEL BRACKET & BRAKE

TOP PLATE SIZE : 110 X 100 X 5.5 THICK

HOLE CENTRE SIZE : 85 X 70 X (11 X 20) BORE

LOAD CARRYING CAPACITY : 250 - 300 KG

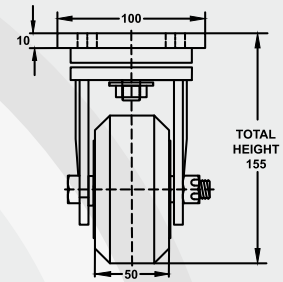
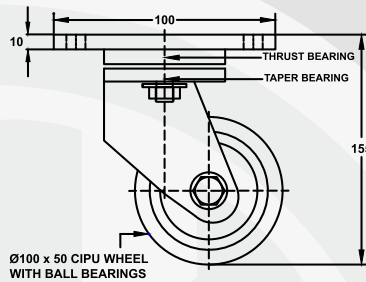
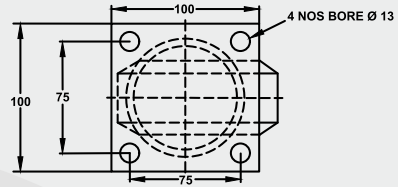


Ø200 X 50 MM CIPU WHEEL WITH PRESSED STEEL FIXED BRACKET

TOP PLATE SIZE : 110 X 100 X 5.5 THICK

HOLE CENTRE SIZE : 85 X 70 X (11 X 20) BORE

LOAD CARRYING CAPACITY : 250 - 300 KG



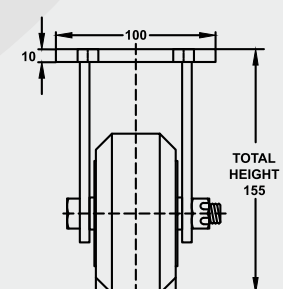
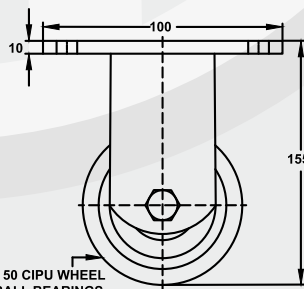
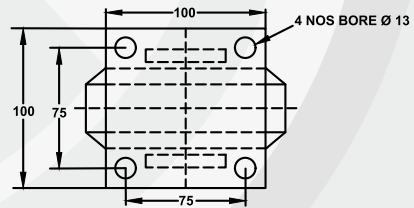
Ø100 x 50 CIPU WHEEL WITH BALL BEARINGS

Ø100 X 50 MM CIPU BONDED WHEEL WITH M. S. SWIVEL BRACKET

TOP PLATE SIZE : 100 X 100 X 10 THICK

HOLE CENTRE SIZE : 75 X 75 X Ø 13 BORE

LOAD CARRYING CAPACITY : 150 - 200 KG



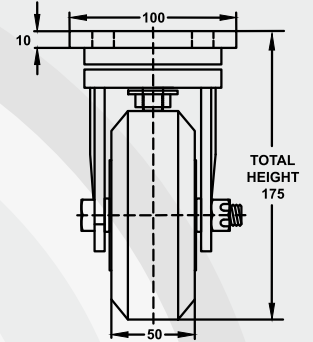
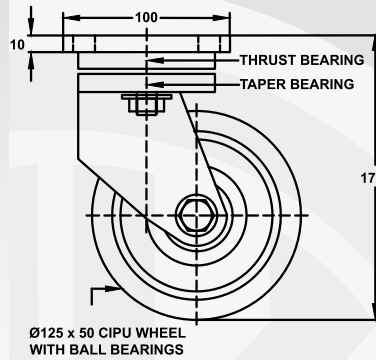
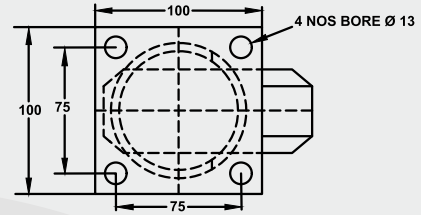
Ø100 x 50 CIPU WHEEL WITH BALL BEARINGS

Ø100 X 50 MM CIPU BONDED WHEEL WITH M. S. FIXED BRACKET

TOP PLATE SIZE : 100 X 100 X 10 THICK

HOLE CENTRE SIZE : 75 X 75 X Ø 13 BORE

LOAD CARRYING CAPACITY : 150 - 200 KG

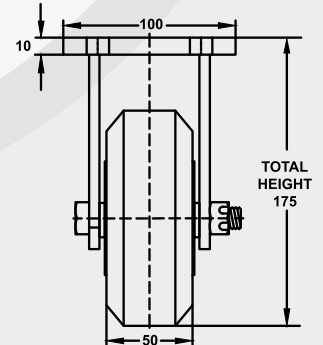
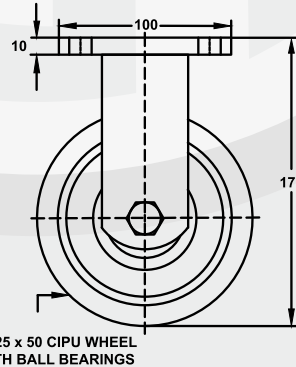
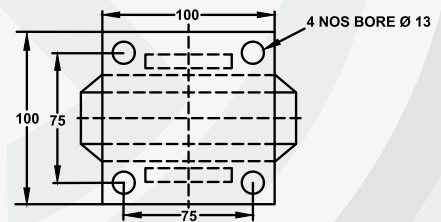


Ø 125 X 50 MM CIPU BONDED WHEEL WITH M. S. SWIVEL BRACKET

TOP PLATE SIZE : 100 X 100 X 10 THICK

HOLE CENTRE SIZE : 75 X 75 X Ø 13 BORE

LOAD CARRYING CAPACITY : 200 - 250 KG

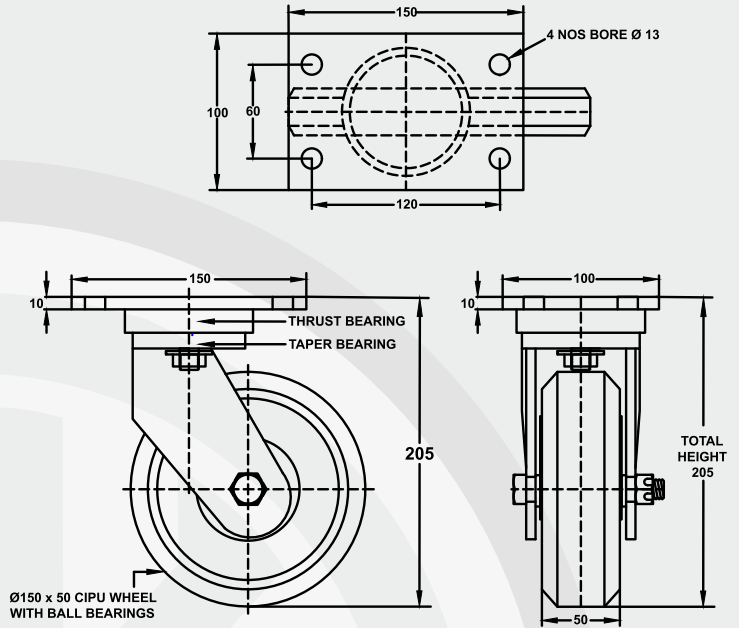


Ø 125 X 50 MM CIPU BONDED WHEEL WITH M. S. FIXED BRACKET

TOP PLATE SIZE : 100 X 100 X 10 THICK

HOLE CENTRE SIZE : 75 X 75 X Ø 13 BORE

LOAD CARRYING CAPACITY : 200 - 250 KG

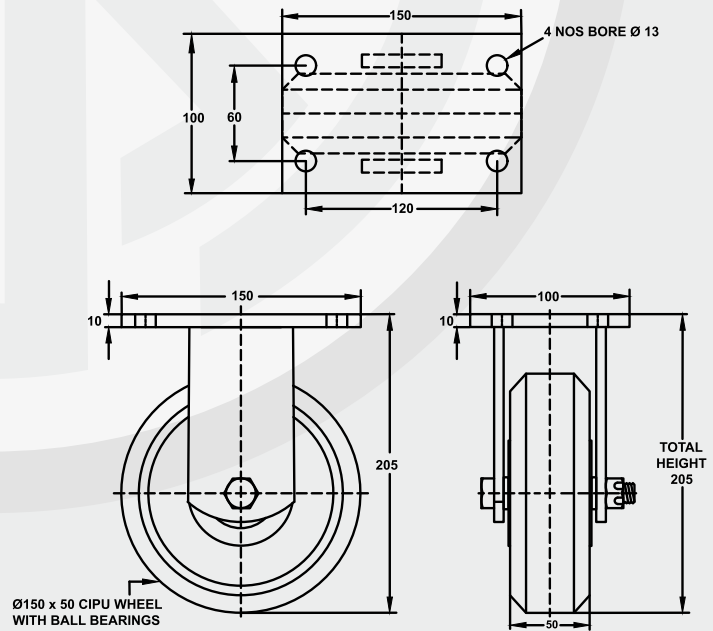


Ø150 X 50 MM CIPU BONDED WHEEL WITH M. S. SWIVEL BRACKET

TOP PLATE SIZE : 150 X 100 X 10 THICK

HOLE CENTRE SIZE : 120 X 60 X Ø 13 BORE

LOAD CARRYING CAPACITY : 250 - 300 KG

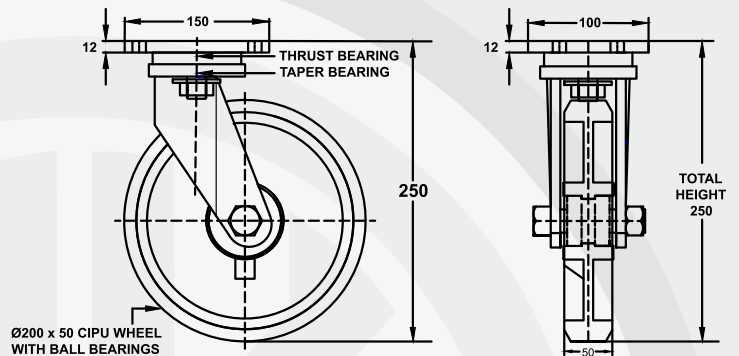
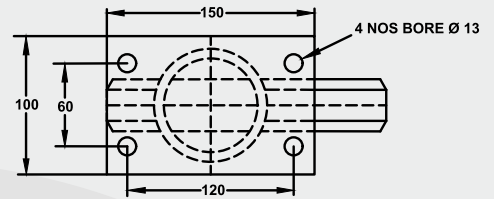


Ø150 X 50 MM CIPU BONDED WHEEL WITH M. S. FIXED BRACKET

TOP PLATE SIZE : 150 X 100 X 10 THICK

HOLE CENTRE SIZE : 120 X 60 X Ø 13 BORE

LOAD CARRYING CAPACITY : 250 - 300 KG

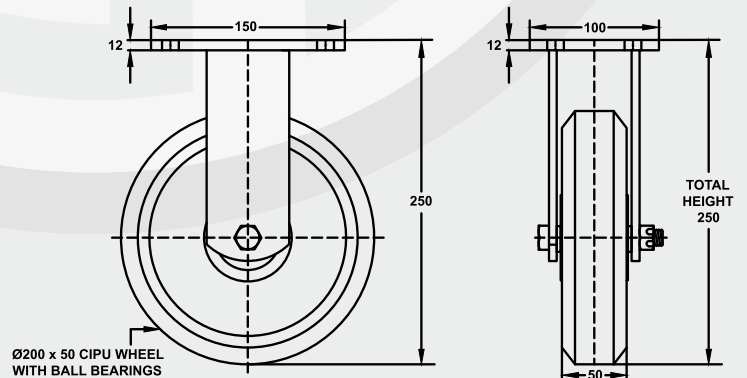
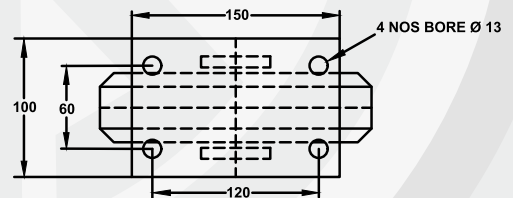


Ø200 X 50 MM CIPU BONDED WHEEL WITH M. S. SWIVEL BRACKET

TOP PLATE SIZE : 150 X 100 X 12 THICK

HOLE CENTRE SIZE : 120 X 60 X Ø 13 BORE

LOAD CARRYING CAPACITY : 500 - 600 KG

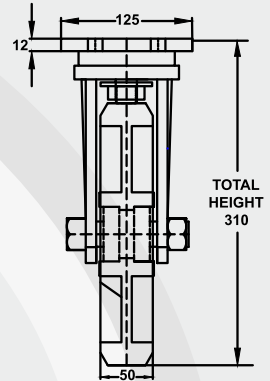
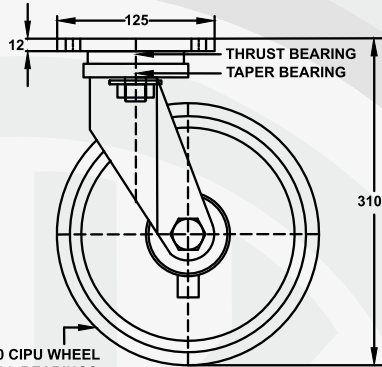
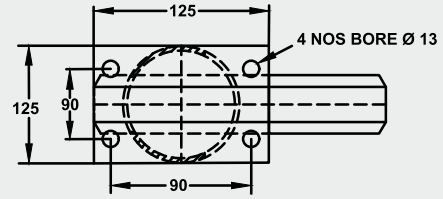


Ø200 X 50 MM CIPU BONDED WHEEL WITH M. S FIXED BRACKET

TOP PLATE SIZE : 150 X 100 X 12 THICK

HOLE CENTRE SIZE : 120 X 60 X Ø 13 BORE

LOAD CARRYING CAPACITY : 500 - 600 KG

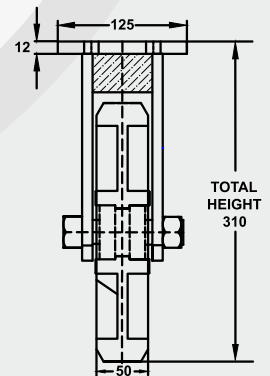
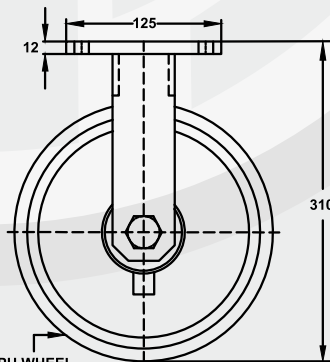
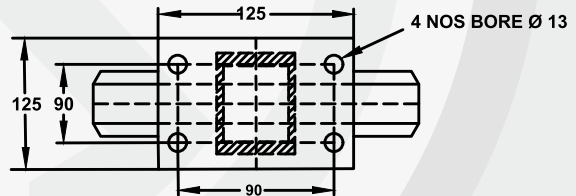


Ø250 X 50 MM CIPU BONDED WHEEL WITH M. S. SWIVEL BRACKET

TOP PLATE SIZE : 125 X 125 X 12 THICK

HOLE CENTRE SIZE : 90 X 90 X Ø 13 BORE

LOAD CARRYING CAPACITY : 750 - 850 KG

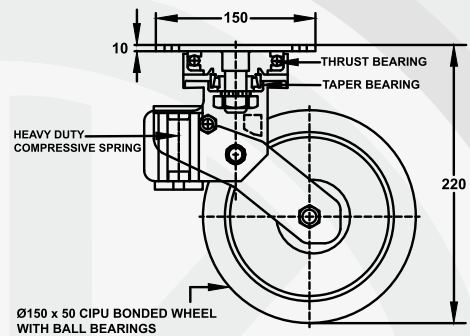
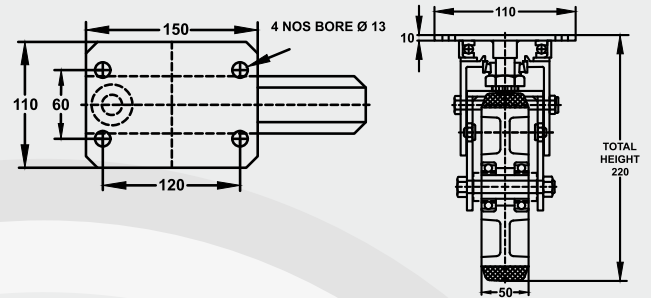


Ø250 X 50 MM CIPU BONDED WHEEL WITH M. S. FIXED BRACKET

TOP PLATE SIZE : 125 X 125 X 12 THICK

HOLE CENTRE SIZE : 90 X 90 X Ø 13 BORE

LOAD CARRYING CAPACITY : 750 - 850 KG

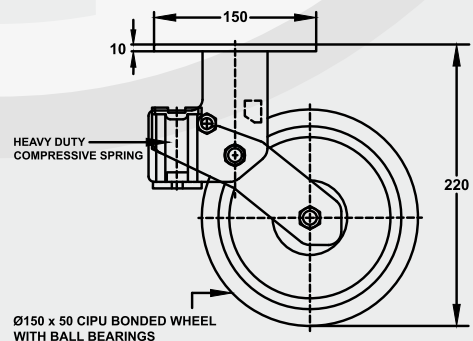
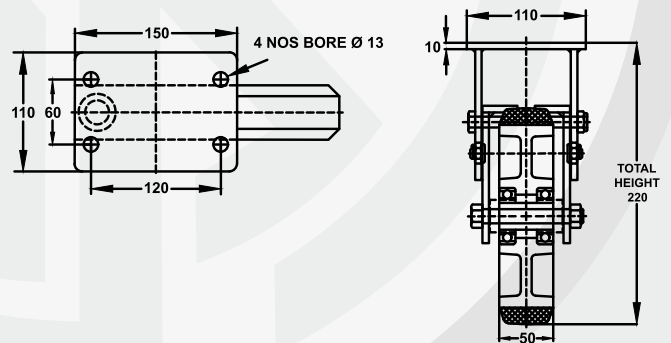


Ø150 X 50 MM CIPU BONDED WHEEL WITH SPRING LOADED SWIVEL BRACKET

TOP PLATE SIZE : 150 X 110 X 10 MM THICK

HOLE CENTRE SIZE : 120 X 60 X 13 BORE

LOAD CARRYING CAPACITY : 200 - 250 KG

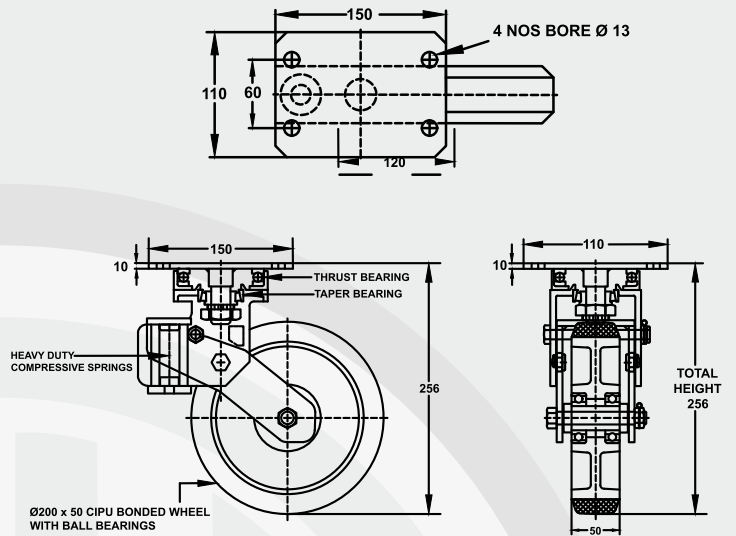


Ø150 X 50 MM CIPU BONDED WHEEL WITH SPRING LOADED SWIVEL BRACKET

TOP PLATE SIZE : 150 X 110 X 10 MM THICK

HOLE CENTRE SIZE : 120 X 60 X 13 BORE

LOAD CARRYING CAPACITY : 200 - 250 KG

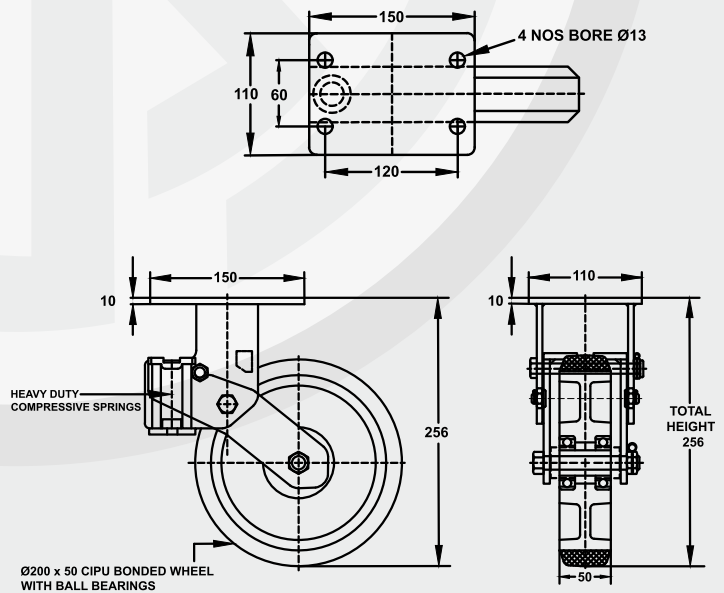


Ø200 X 50 MM CIPU BONDED WHEEL WITH SPRING LOADED SWIVEL BRACKET

TOP PLATE SIZE : 150 X 110 X 10 THICK

HOLE CENTRE SIZE : 120 X 60 X 13 BORE

LOAD CARRYING CAPACITY : 350 - 400 KG

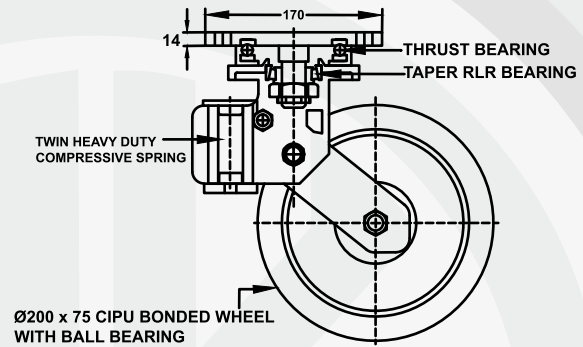
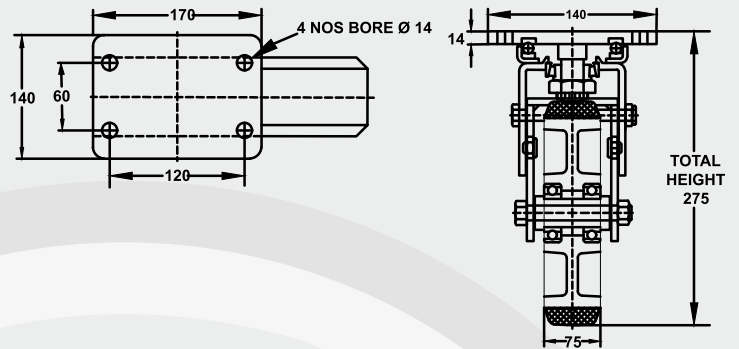


Ø200 X 50 MM CIPU BONDED WHEEL WITH SPRING LOADED FIXED BRACKET

TOP PLATE SIZE : 150 X 110 X 10 THICK

HOLE CENTRE SIZE : 120 X 60 X 13 BORE

LOAD CARRYING CAPACITY : 350 - 400 KG

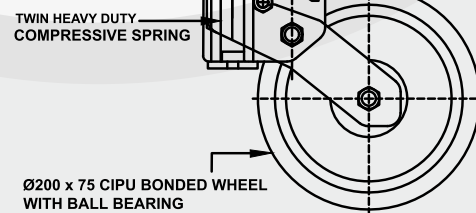
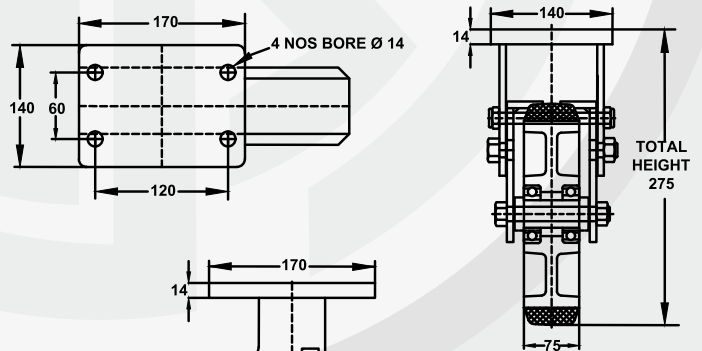


Ø200 X 75 MM CIPU BONDED WHEEL WITH SPRING LOADED SWIVEL BRACKET

TOP PLATE SIZE : 170 X 140 X 14 MM THICK

HOLE CENTRE SIZE : 120 X 60 X 14 BORE

LOAD CARRYING CAPACITY : 750 - 850 KG



Ø200 X 75 MM CIPU BONDED WHEEL WITH SPRING LOADED FIXED BRACKET

TOP PLATE SIZE : 170 X 140 X 14 MM THICK

HOLE CENTRE SIZE : 120 X 60 X 14 BORE

LOAD CARRYING CAPACITY : 750 - 850 KG



OUR ESTEEMED CUSTOMERS

1. TOYOTA KIRLOSKAR MOTOR PVT. LTD. & SUBSIDIARY.
2. TOYOTETSU INDIA AUTO PARTS PVT. LTD.
3. HEUBACH COLORANTS INDIA LTD.
4. CENTURY RAYON.
5. PIRAMAL PHARMA LTD.
6. BISLERI INTERNATIONAL PVT. LTD.
7. ZOETIS PHARMACEUTICAL RESEARCH PVT. LTD.



S. K. INDUSTRIES

CASTORS & WHEELS

Excellence, Quality & Integrity

Leading Indian Precision Manufacturers of
Castors and Wheels for over 30 years

Factory & Office Address

Sahyog Industrial Premises Co-Op.Soc.Ltd, Gala No.35 & 36, Ground Floor, Mira Bhayandar Road,
Near S. K. Stone, Mira Road (E) Dist. Thane - 401 107.

Contact Person : **Mr. V. S. Shetty** - ☎ : +91 -9821858987 / 8097077727 ✉ : skiwheels@yahoo.co.in 🌐 : <http://www.castors.in>

Branch :

SA-2/53, Vijaya Enclave, Bileka Halli, Banner Ghatta Road, Bangalore - 560 076.
Contact Person : **Mr.K.R Adappa** - ☎ : 09945326370 ✉ : skiwheels@yahoo.co.in